

# CPCV5 Series Hardware Manual

CPCV5-070WR/CPCV5-102BR/  
CPCV5-102WR/CPCV5-101BR

[ENGLISH]

[Version 2.1]

**COMFILE**  
TECHNOLOGY

COMFILE Technology, Inc.

**ENGLISH**

## 1. Hardware Specification

ITEM	MODEL			
	CPCV5-070WR	CPCV5-102BR	CPCV5-102WR	CPCV5-101BR
<b>System</b>				
CPU	Intel Celeron N2930			
Core Number	Quad			
Clock Speed	1.83GHz			
CPU Type	Onboard			
Memory	SODIMM DDR3L 4GB			
HDD	m-SATA 128GB			
Graphics	Intel HD Graphics,			
Video I/O	1x DVI Output Port			
Ethernet	2x Gigabit Ethernet (Realtek RTL8111G)			
Audio	Realtek High Definition Audio			
Audio I/O	1x Audio Line Out Port			
USB	3x USB2.0, 1xUSB3.0			
Serial	COM1: RS232C/RS485/RS422, COM2: RS232C			
<b>Display</b>				
Size	7inch	10.2inch		10.1inch
Resolution	WSVGA(1024x600)	WVGA(800x480)		WSVGA(1024x600)
Aspect Ratio	16:9			
Colors	16.7M	262K		
Contrast	800:1	300:1		600:1
Response Time	10msec	20msec		25msec
Brightness	400cd/m <sup>2</sup>	350cd/m <sup>2</sup>		250cd/m <sup>2</sup>
Viewing Angle (R/L/T/B)	80/80/80/80	65/65/45/65		70/70/70/50
Lifespan of Backlight	>20,000hrs			
Touchscreen Type	4-Wire Resistive Touch			
<b>Power</b>				
Input Power	DC+12V ~ DC+24V (Note 1)			
Power Consumption	<15W(1.2A@DC12V)	<17W(1.4A@DC12V)		
<b>Mechanical</b>				
Dimensions (WxHxD)	196x133x60 mm	284x163x66 mm	289x200x67 mm	284x163x66 mm
Housing (Front/Rear)	ABS/ABS		ABS/Steel	ABS/ABS
Weight	1.0Kg	1.52Kg	2.20Kg	1.52Kg
Protection (Front/Rear)	IP65 / IP20	IP54 / IP20	IP65 / IP20	IP54 / IP20
<b>Environment</b>				
Operating Temperature	0°C ~ 60°C			
Operating Humidity (non-condensing)	10~90%RH @60°C			10~90%RH @40°C
Storage Temperature	-30°C ~ 80°C			

---

<b>Storage Humidity (non-condensing)</b>	10~90%RH @60℃	10~90%RH @40℃
<b>Certification</b>		
<b>EMI Certification</b>	KC, CE, FCC Class A	

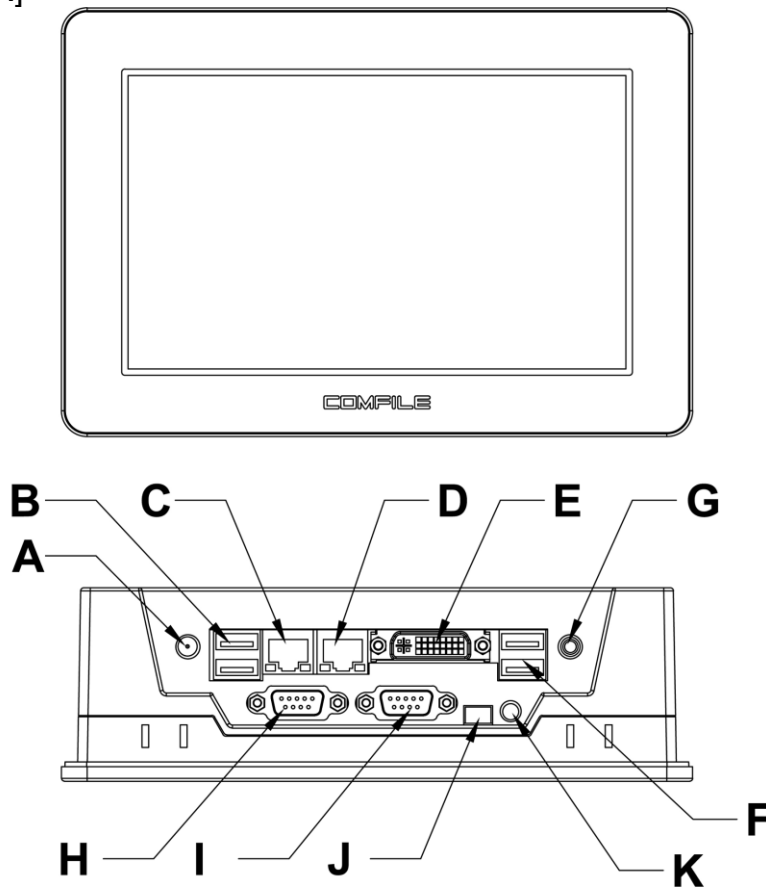
Note 1 : It is recommended to use the power adaptor(or SMPS) of the following specifications.

Input : 100V~240V, 50Hz/60Hz, 1.5A

Output : DC12V, 3A / DC24V, 1.5A

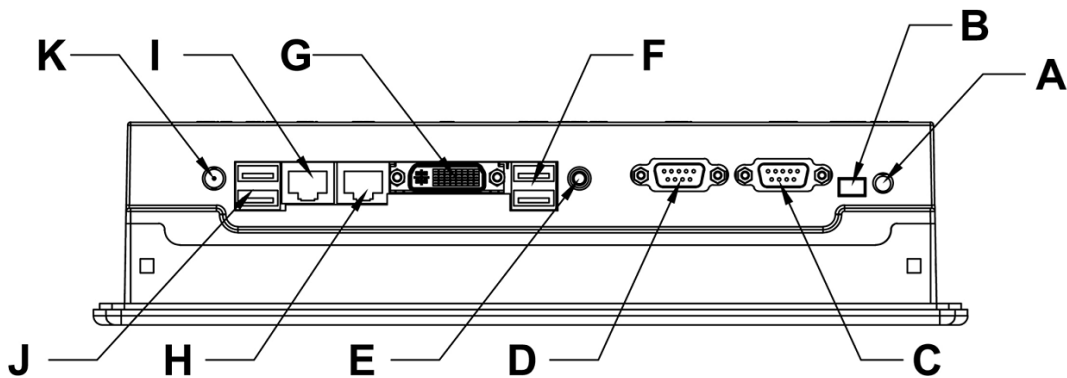
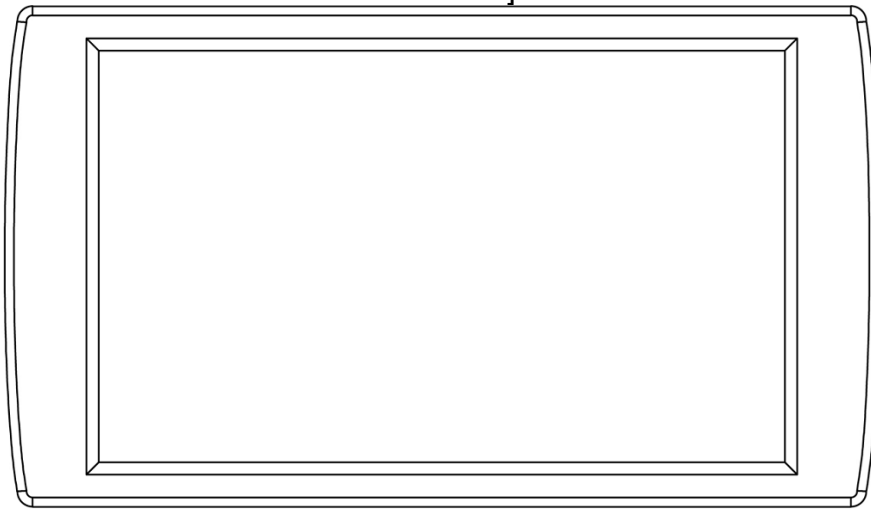
## 2. External Parts

[CPCV5-070WR]



	Name	Description
A	DC INPUT	ø2.5 Adaptor Input Connector
B	USB Port	USB1/USB2 (USB2.0).
C	LAN1 Port	Support Gigabit LAN, with RJ-45 type connector.
D	LAN2 Port	Support Gigabit LAN, with RJ-45 type connector.
E	DVI Port	DVI output for external monitor.
F	USB Port	USB3/USB4 (USB3 Port : USB2.0, USB4 : USB3.0)
G	Audio OUT	Sound output for external speaker.
H	COM1 Port	COM1 (RS232C/RS485/RS422, D-SUB 9Pin Male Type)
I	COM2 Port	COM2 (RS232C, D-SUB 9Pin Male Type)
J	Ext. Power S/W	The connector which can be linked to external switch. Same function with ATX Power S/W.
K	ATX Power S/W	ATX mode power switch. Boot or exit the system.

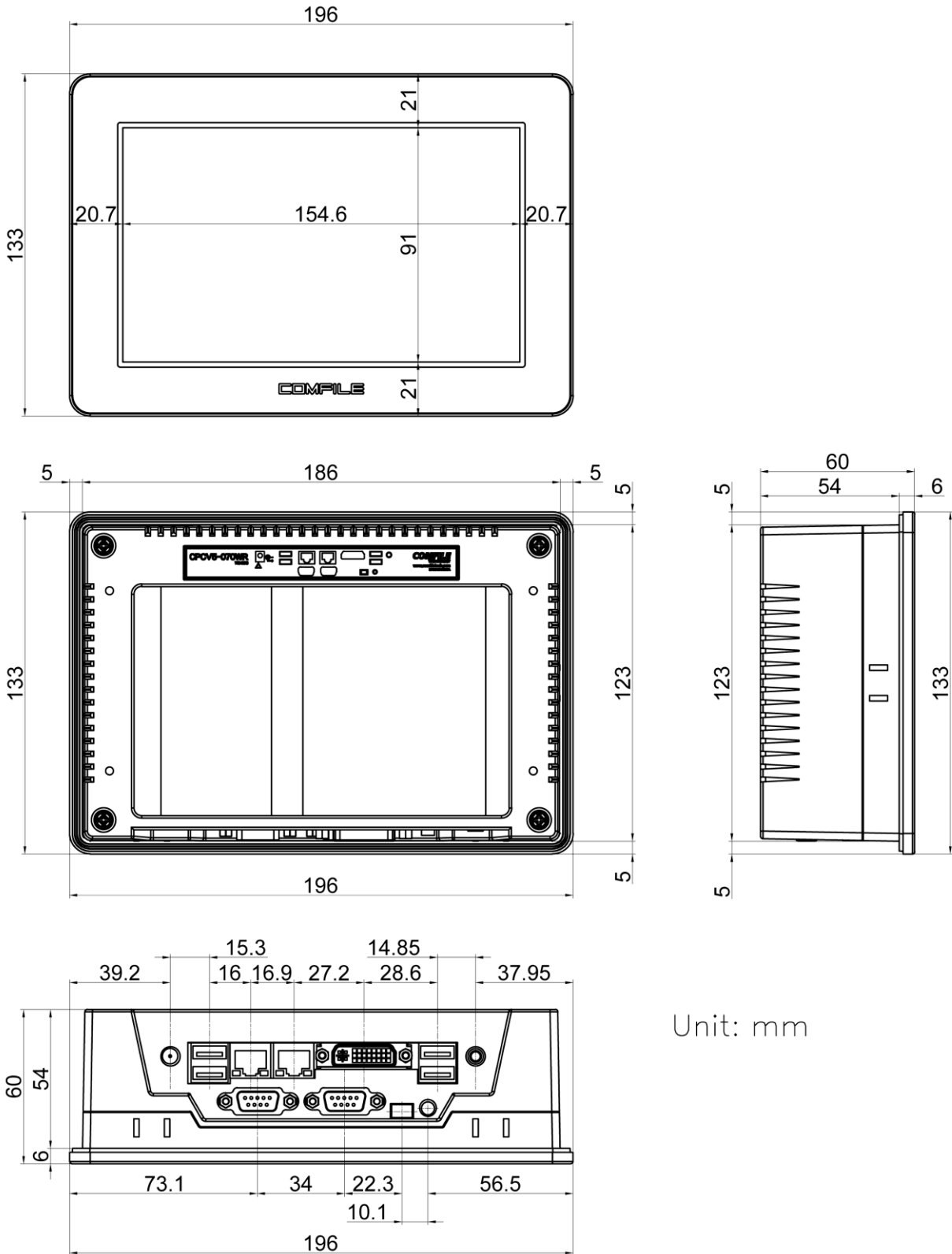
[CPCV5-102BR/CPCV5-102WR/CPCV5-101BR]



	Name	Description
A	ATX Power S/W	ATX mode power switch. Boot or exit the system.
B	Ext. Power S/W	The connector which can be linked to external switch. Same function with ATX Power S/W.
C	COM2 Port	COM2 (RS232C, D-SUB 9Pin Male Type)
D	COM1 Port	COM1 (RS232C/RS485/RS422, D-SUB 9Pin Male Type)
E	Audio OUT	Sound output for external speaker.
F	USB Port	USB3/USB4 (USB3 Port : USB2.0, USB4 : USB3.0)
G	DVI Port	DVI output for external monitor.
H	LAN2 Port	Support Gigabit LAN, with RJ-45 type connector.
I	LAN1 Port	Support Gigabit LAN, with RJ-45 type connector.
J	USB Port	USB1/USB2 (USB2.0).
K	DC INPUT	ø2.5 Adaptor Input Connector

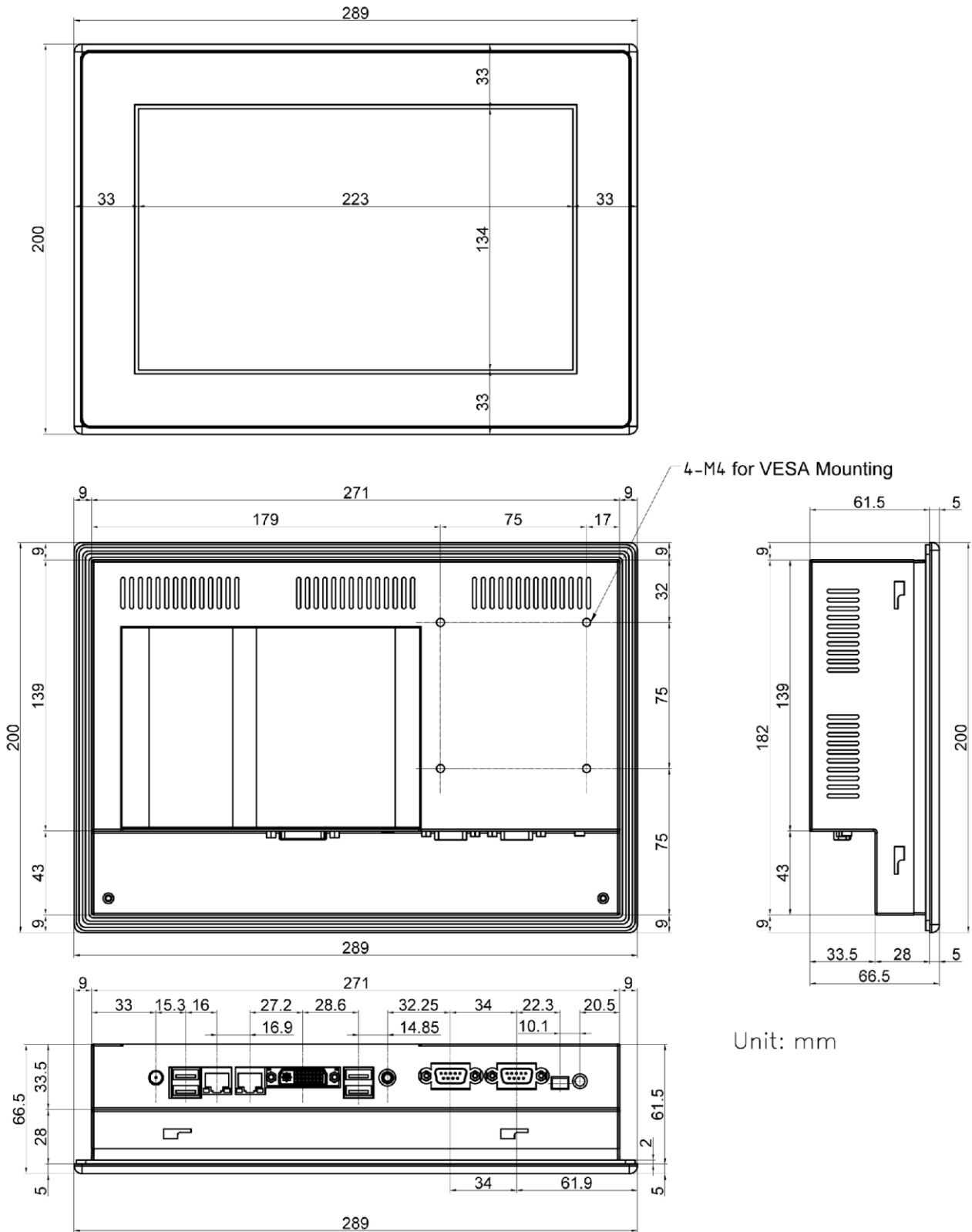
### 3. Dimensions

[CPCV5-070WR]





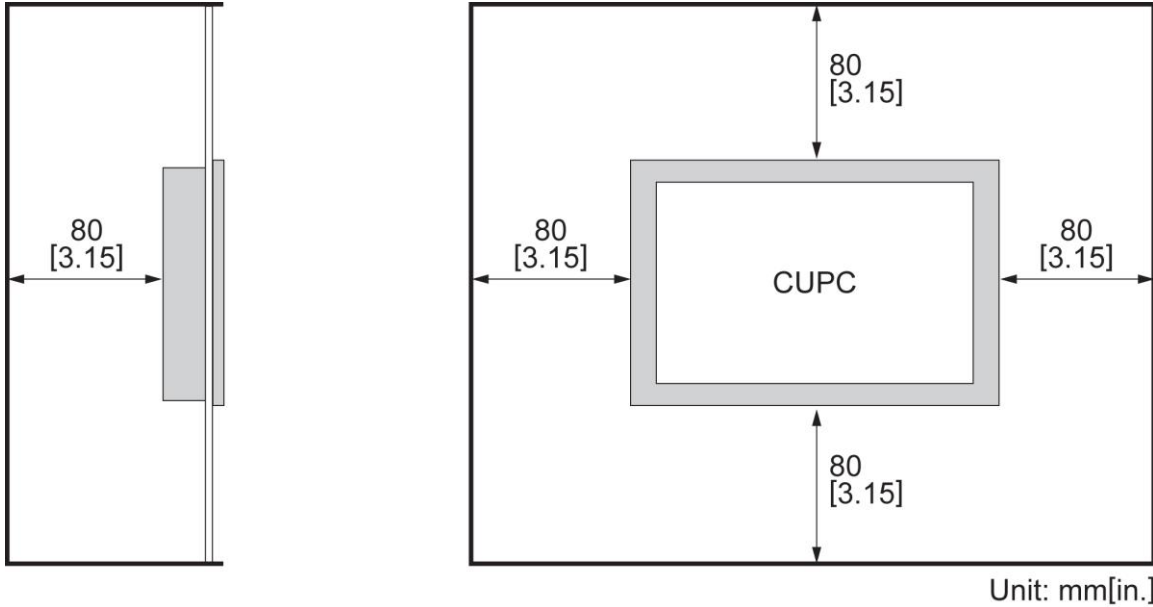
[CPCV5-102WR]



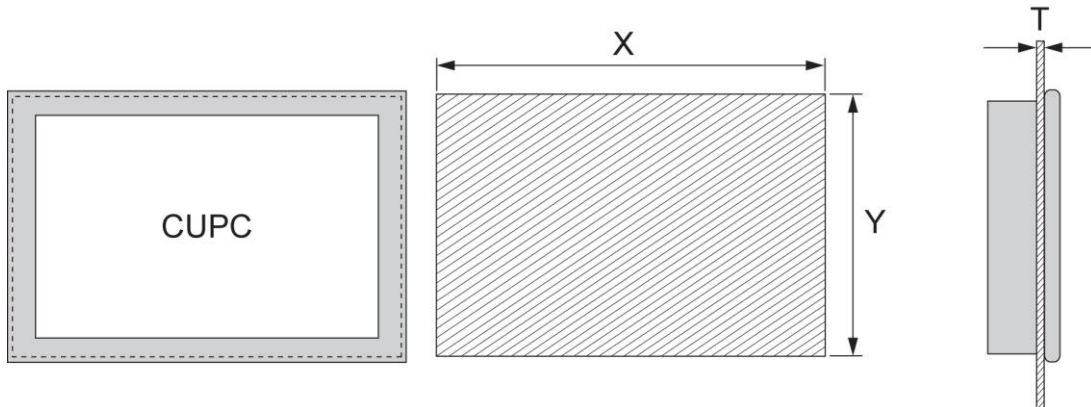


## 4. PANEL CUTOUT

### Installation Requirements



### Installation

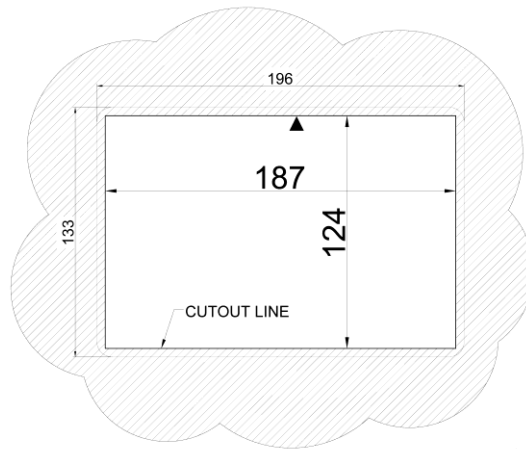


**X:** Panel Cutout Width, **Y:** Panel Cutout Height, **T:** Panel Thickness  
Unit: mm[in.]

Model Name	X	Y	T
CPCV5-070WR	187 [7.36]	124 [4.88]	1.6 to 5.0 [0.06 to 0.20]
CPCV5-102BR/ CPCV5-101BR	265 [10.43]	152 [5.98]	1.6 to 5.0 [0.06 to 0.20]
CPCV5-102WR	272 [10.71]	183 [7.20]	1.6 to 5.0 [0.06 to 0.20]

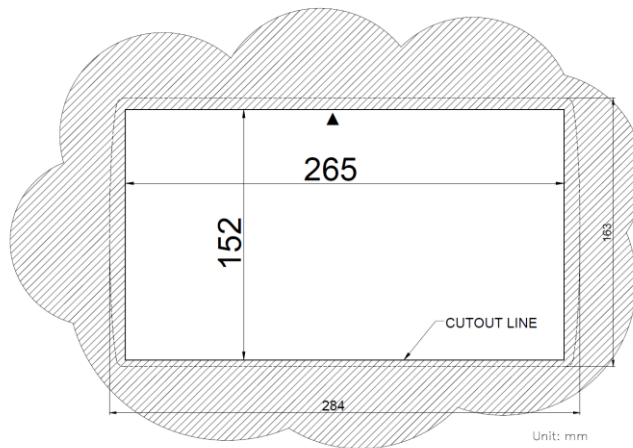
**Bezel Size & Installation**

[CPCV5-070WR]



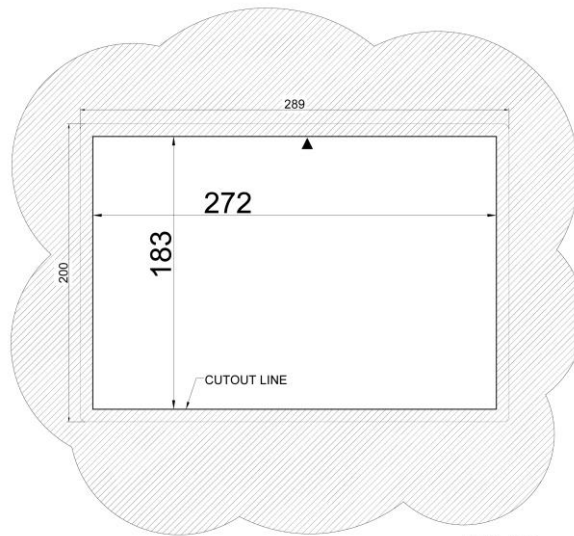
Unit: mm

[CPCV5-102BR/CPCV5-101BR]



Unit: mm

[CPCV5-102WR]

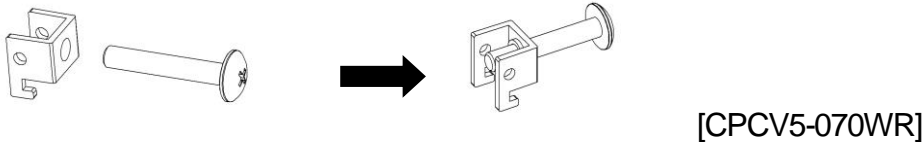
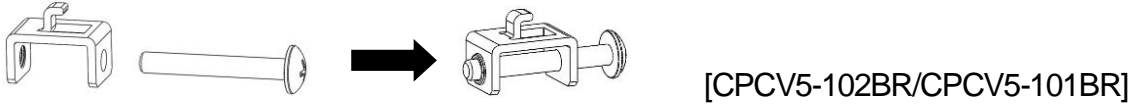


Unit: mm

## 5. Bracket Installation

### ■ CPCV5-102BR/CPCV5-101BR/CPCV5-070WR

1. Insert a bolt into each mounting bracket as shown in the diagram below.

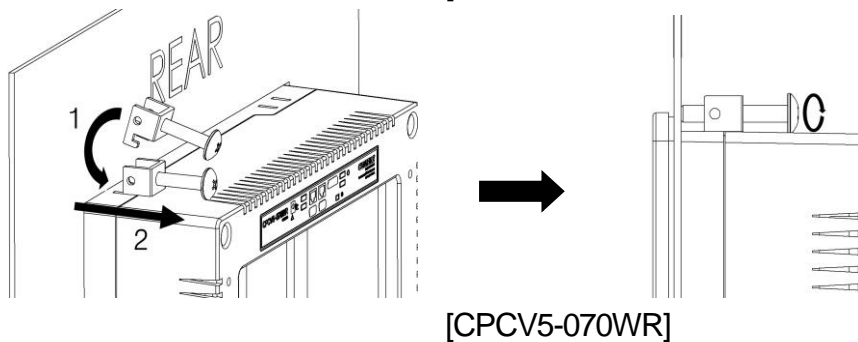
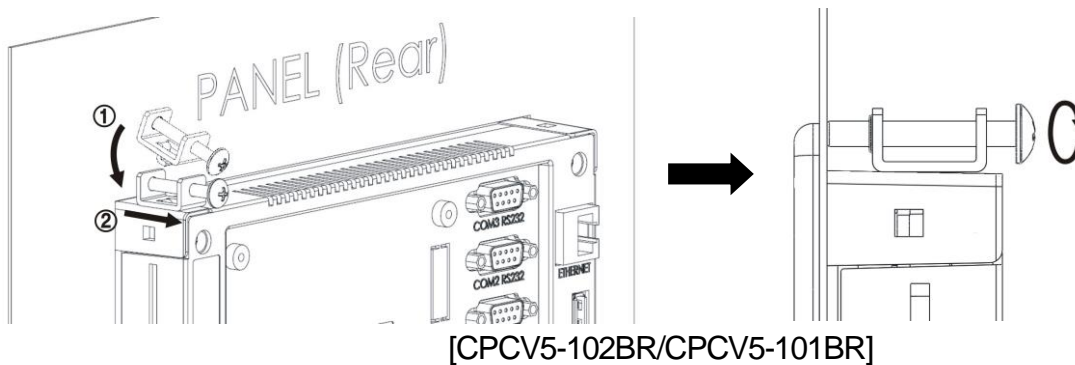


2. Make a hole in the panel according to the CPCV5's cutout diagram, and insert the CPCV5 into place.

3. Hook a bracket into one of the CPCV5's bracket mounting holes, and pull gently to hold it firmly in place.

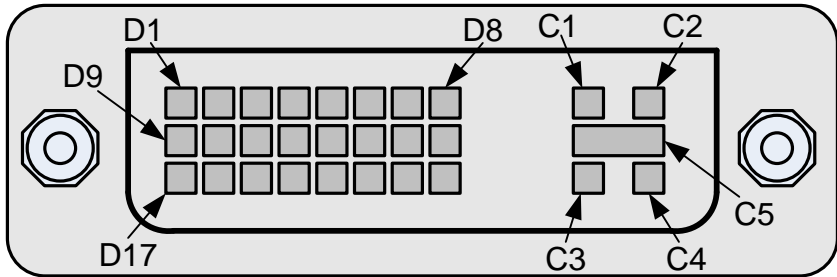
4. Tighten the bolt against the panel to secure the CPCV5 to the panel. (Be careful not to tighten the bolts too tightly, or the CPCV5 could be damaged.)

5. Repeat steps 3 and 4 for each mounting bracket.

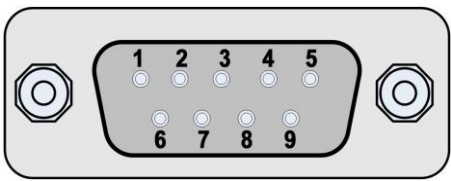


## 6. Input/Output Connectors

### DVI Output Connector

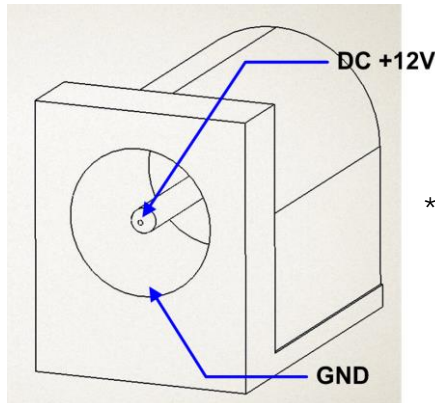
Connector Type							
							
Pin Assignment							
Order	Name	Order	Name	Order	Name	Order	Name
D1	TMDS_D2-	D2	TMDS_D2+	D3	GND	D4	-
D5	-	D6	DVI DDC_CLK	D7	DVI DDC_DATA	D8	VGA_VSYNC
D9	TMDS_D1-	D10	TMDS_D1+	D11	GND	D12	-
D13	-	D14	DVI DDC_VCC	D15	GND	D16	DVI HPD
D17	TMDS_D0-	D18	TMDS_D0+	D19	GND	D20	-
D21	-	D22	GND	D23	TMDS_CLK+	D24	TMDS_CLK-
C1	Analog RED	C2	Analog GREEN	C3	Analog BLUE	C4	VGA_HSYNC
C5	GND						

### RS232C Input/Output Connector (COM1)

커넥터 형태											
											
*D-SUB 9Pin Male											
RS232C Mode (COM1/COM2)				RS485 (COM1)				RS422 (COM1)			
Pin	Name	Pin	Name	Pin	Name	Pin	Name	Pin	Name	Pin	Name
1	DCD	2	RXD	1	DATA-	2	DATA+	1	TX-	2	TX+
3	TXD	4	DTR	3	-	4	-	3	RX+	4	RX-
5	GND	6	DSR	5	GND	6	-	5	GND	6	-
7	RTS	8	CTS	7	-	8	-	7	-	8	-
9	RI	-	-	9	-	-	-	9	-	-	-

\*Notice : RS422/RS485 function is supported by COM1 Port only. User also needs to go to BIOS to set 'Transmission Mode Select' for COM1

## I Power Input Connector



\*  $\varnothing$  2.5 Adaptor Jack

### **Caution for wiring**

- Please make sure if every power supply is off before starting wiring.
- Please check the voltage and cables before supplying power.

## 7. EMI/EMC Certifications

▶ CPCV5-070WR:



KCC Registration No. : MSIP-REM-CUL-CPCV5-070WR

▶ CPCV5-102BR:



KCC Registration No. : MSIP-REM-CUL-CPCV5-102BR

▶ CPCV5-102WR:



KCC Registration No. : MSIP-REM-CUL-CPCV5-102WR

▶ CPCV5-101BR:



KCC Registration No. : MSIP-REM-CUL-CPCV5-101BR

## 8. Warranty Policy

### Warranty Period

The products are warranted to be free of defects in materials and workmanship for 1 year from the date of purchase.

### Warranty Exclusions

The warranty does not cover abrasion and is considered void if the product is opened by unauthorized person, damaged by abnormal use, heat or humidity, or used against user manual.

### Request of Warranty Repair

If the products have defect(s) during the warranty period, the customer should inquire at the manufacturer or dispatch the products with the description to the address the manufacturer provides. If the request is appropriate, the manufacturers repairs and dispatch it to the customer.

### Limitation of Liability

The manufacturer and distributor are not responsible for damages or breakdowns caused by direct or indirect reasons, and the maximum duty of manufacturer and distributor are limited to the total amount paid by the customer. The limitations or exclusions of warranty have priority over any other warranty expressed explicitly, implicatively, in writing, or orally.

#### Contact Information

Should you need any additional information or assistance about CPCV5, please feel free to contact us.

#### Comfile Technology Inc.

14 Pidgeon Hill Drive, Suite 310, Sterling, VA 20165, U.S.A

#### Telephone

Toll-Free : (888) 9CUBLOC, (888) 928 2562

Office : (571) 322 5010

Fax : (571) 322 5011

Office Hours: Monday-Friday 9am-5:30pm EST

#### E-mail

Sales: [sales@comfiletech.com](mailto:sales@comfiletech.com)

Technical Support: [support@comfiletech.com](mailto:support@comfiletech.com)