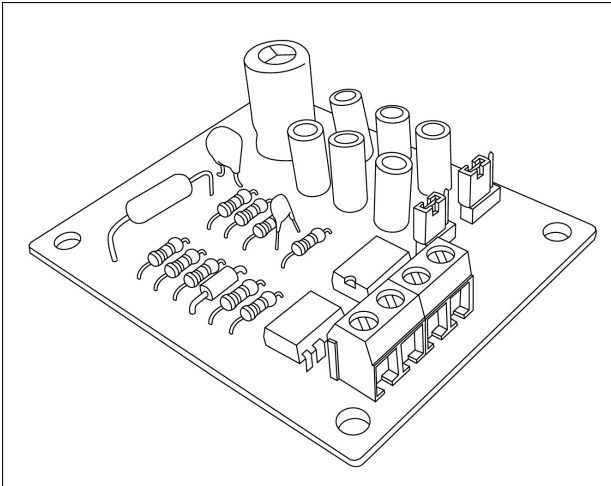


PWM

# DAC BOARD

DAC Board



1.

PWM( )  
DAC . DAC  
PICBASIC, TinyPLC  
DC 5[V] CMOS, TTL PWM 가 0.5[V], 0.10[V]

2.

- PWM  
- 10[V] 가  
- 200[Hz] PWM  
가  
- 가가

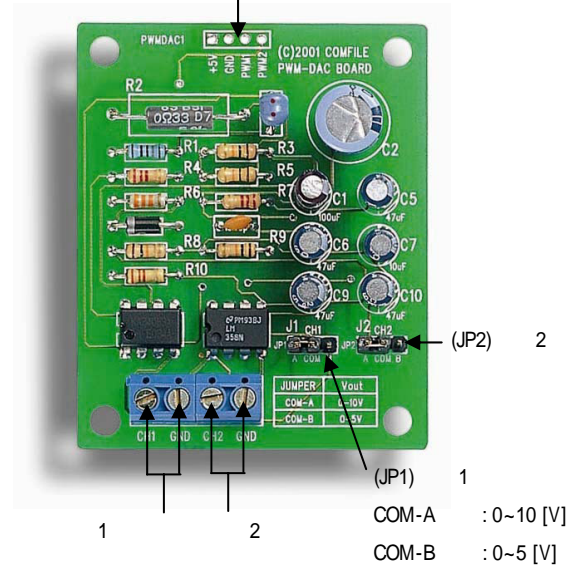
3.

DAC PWM-D/A , STEP-UP DC  
OP PWM 5 [V]  
PWM 가 , (0.5[V], 0.10[V] 2가 )  
DUTY  
PICBASIC PB-1S  
PWM 8 (255) , DAC  
COM-A (0.10 [V])

$$V_{analog} = \text{DUTY} / 255 * 10 [V]$$

4.

[PWM ]  
1 : 2 PWM / 2 : 1 PWM  
3 : (GND) / 4 : +5V



5.

