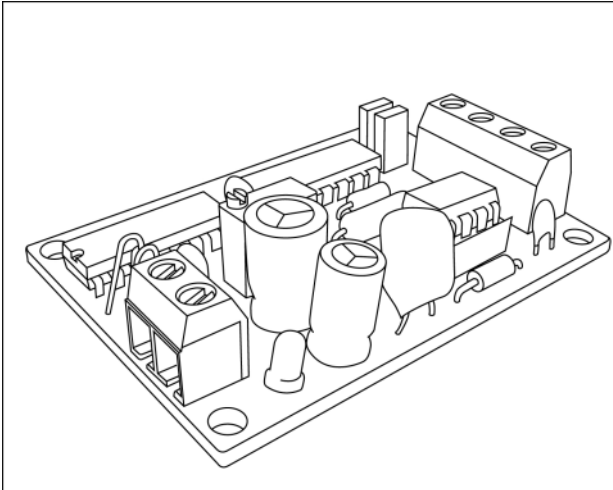


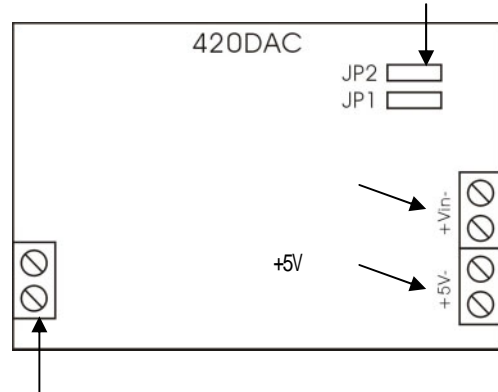
420DAC

420DAC

420DAC Board



4.



1.

420DAC 4 20mA
V-I

0 5V , 420DAC
4 20mA

2.

- 4 20mA
- 0.003% 1
- Analog Device AD694 Converter
- 0 5V, 0 10V
- DC 5V

3.

- Analog Device AD694 V-I IC
- 0.003% V-I
- 0 5V, 0 10V 27가 JP1, JP2
- DC+5V (250mW)

5.

