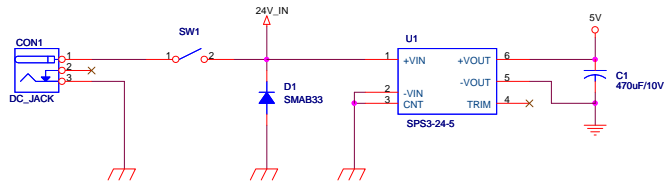
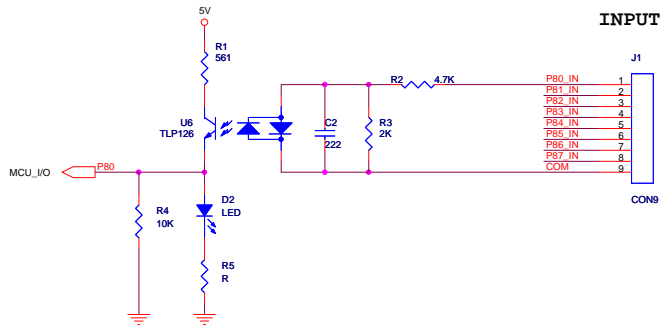


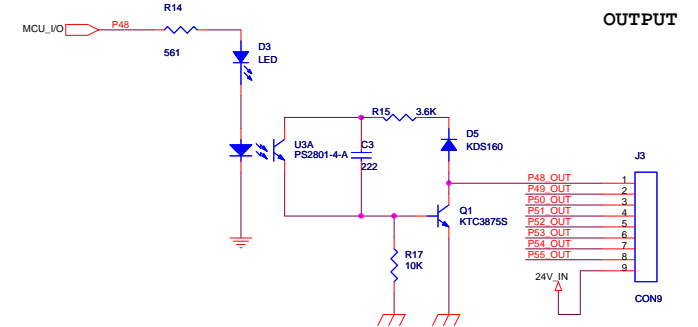
POWER



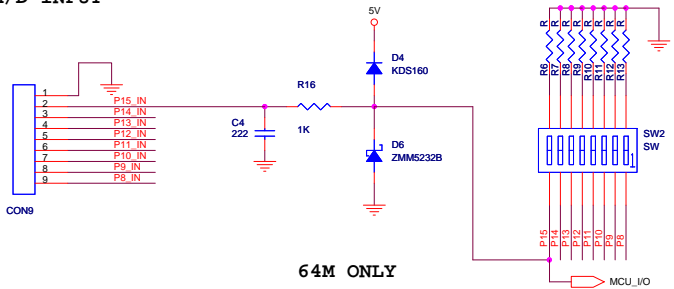
INPUT



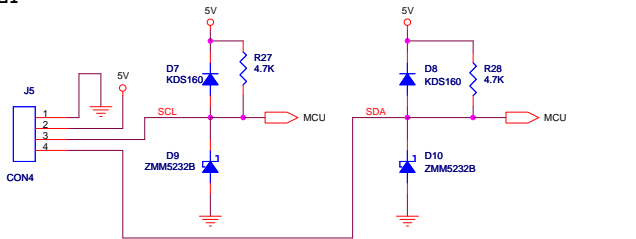
OUTPUT



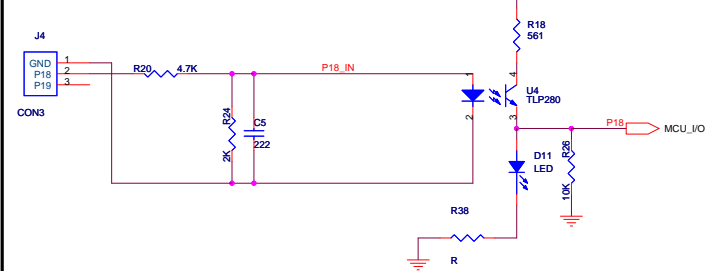
A/D INPUT



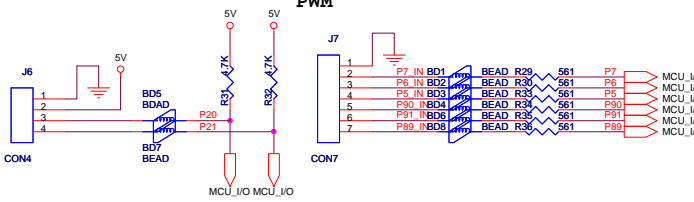
CuNET



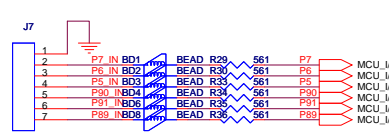
Interrupt



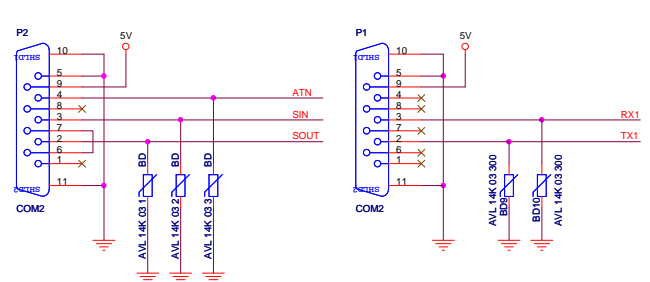
CSGN



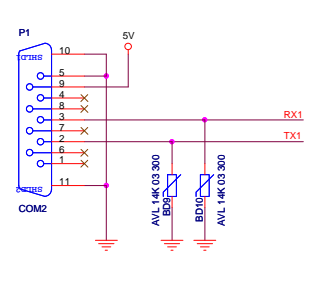
PWM



RS232 Down Load



CH1 RS232



HIGH COUNT

